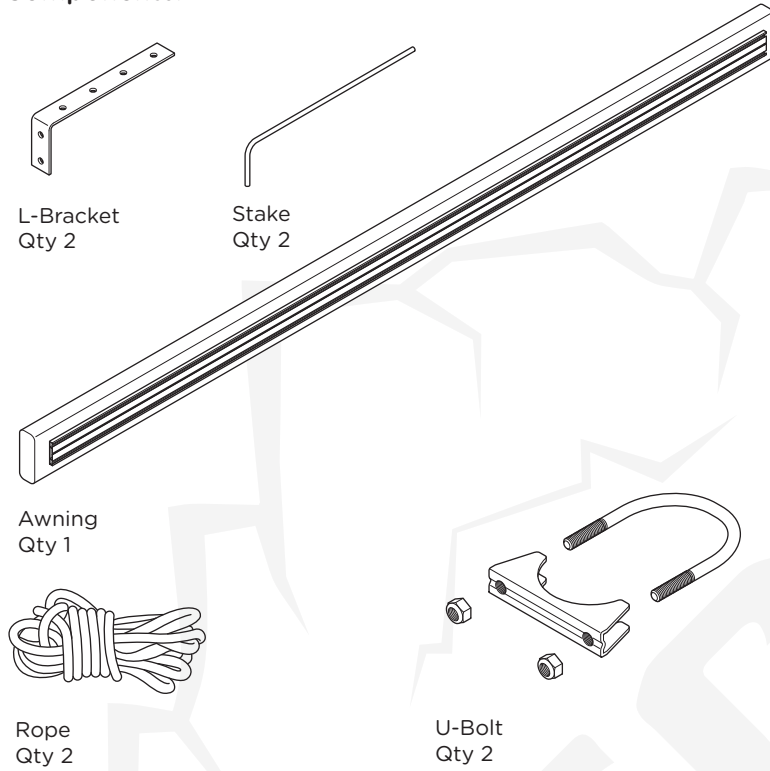


ROOFTOP AWNING

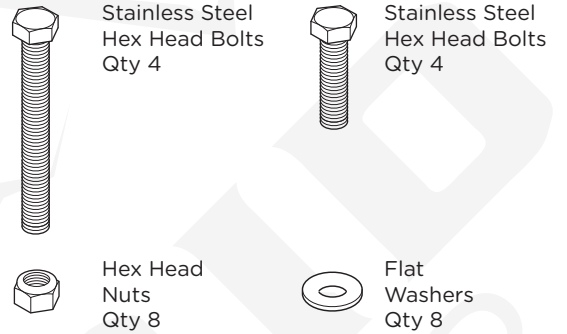
SKU: 100000-000300



Components:



Hardware:



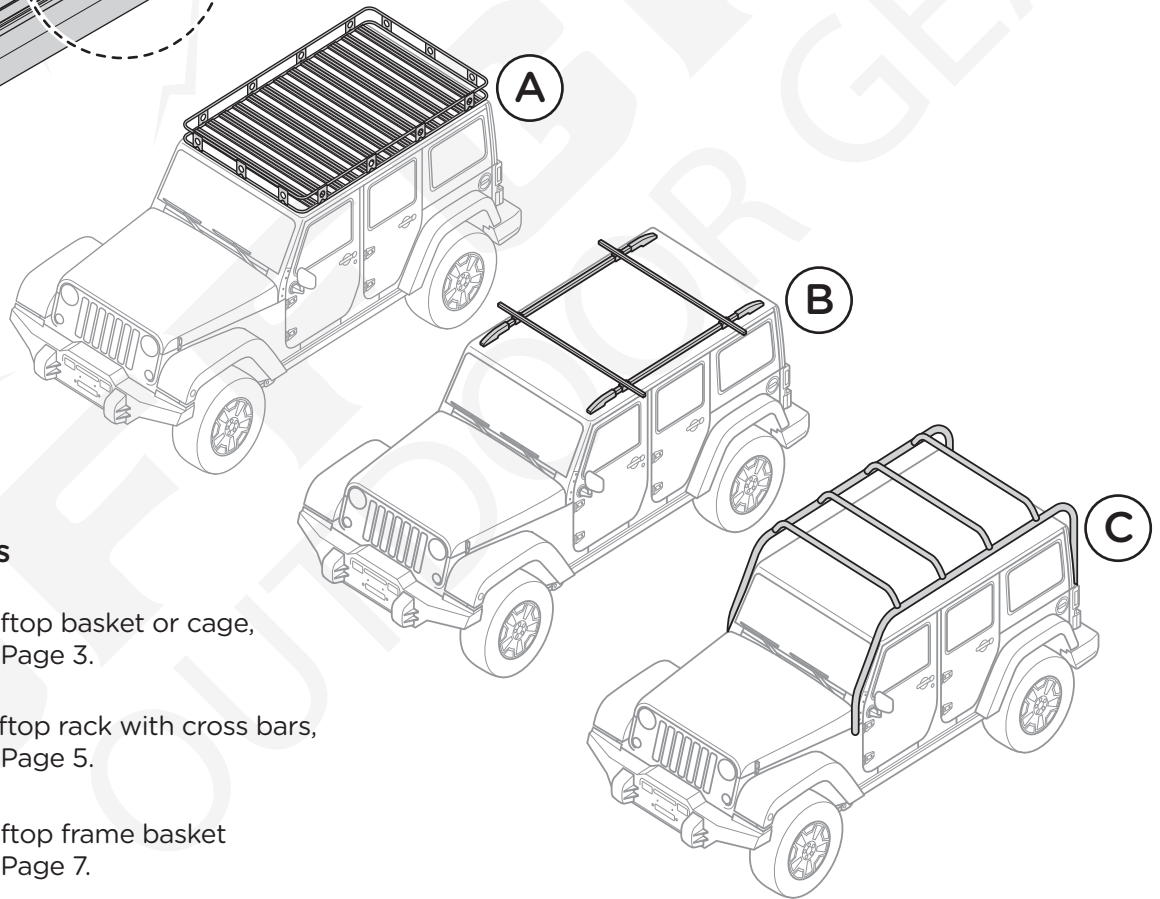
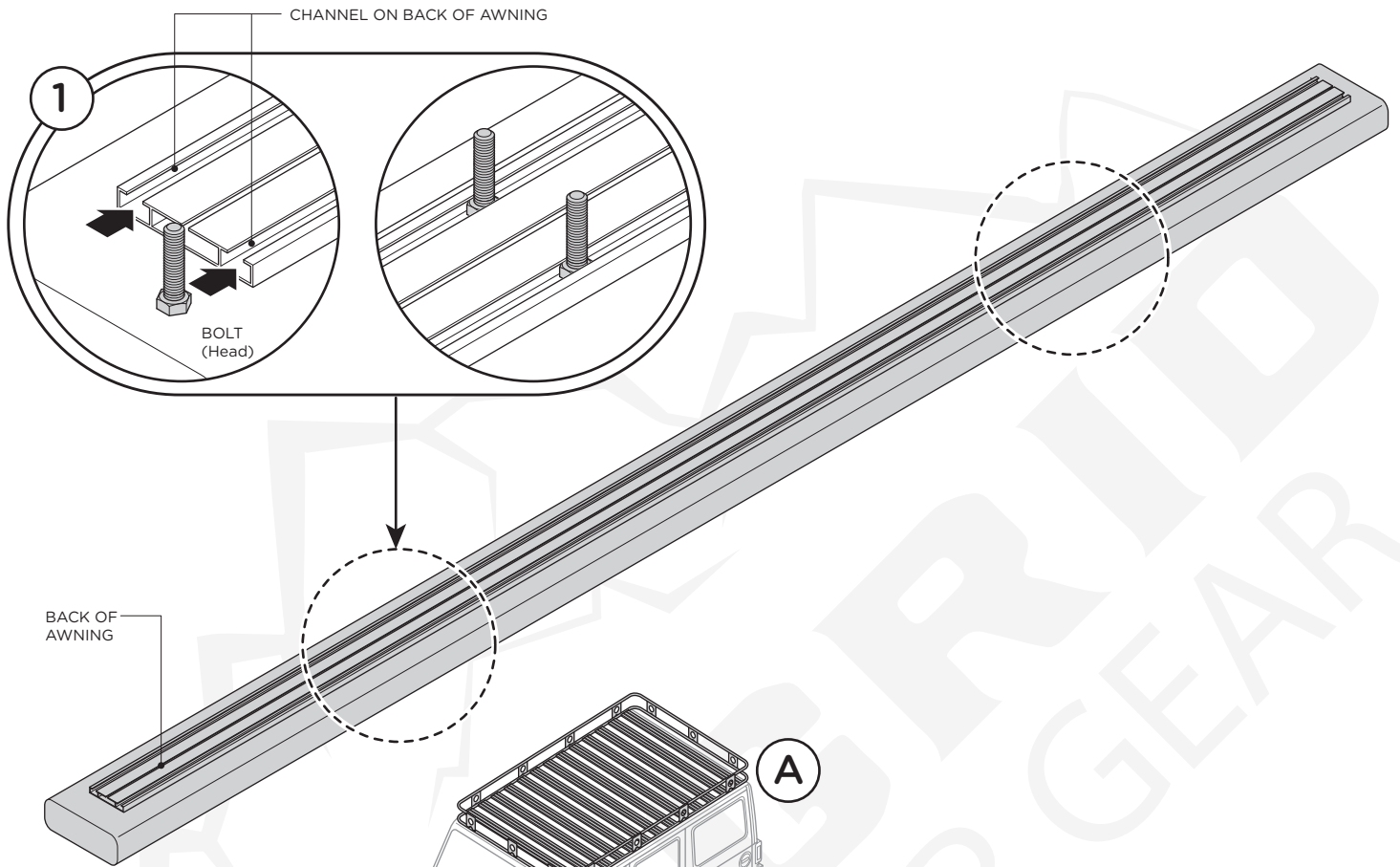
Tools Required:



This Awning is designed to be mounted in several different ways depending on the type of equipment your vehicle has. You may need to purchase your own hardware on some set-ups.

Prepare Awning for Mounting

1. Slide four (4) bolts (heads) into the channels on the back of the awning.



Mounting Options

- A.** To mount to a rooftop basket or cage, proceed to Step 1 on Page 3.
- B.** To mount to a rooftop rack with cross bars, proceed to Step 1 on Page 5.
- C.** To mount to a rooftop frame basket proceed to Step 1 on Page 7.

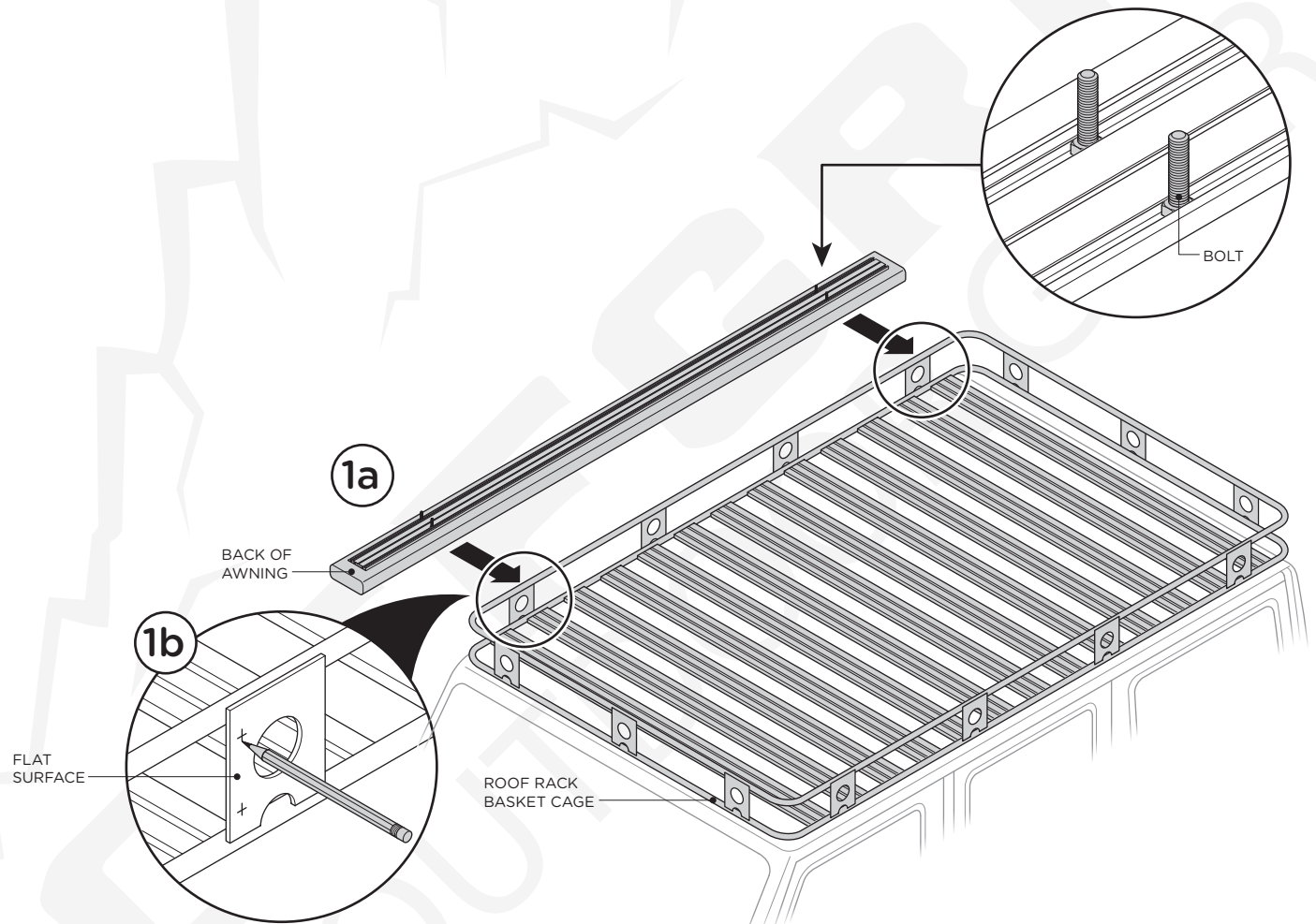
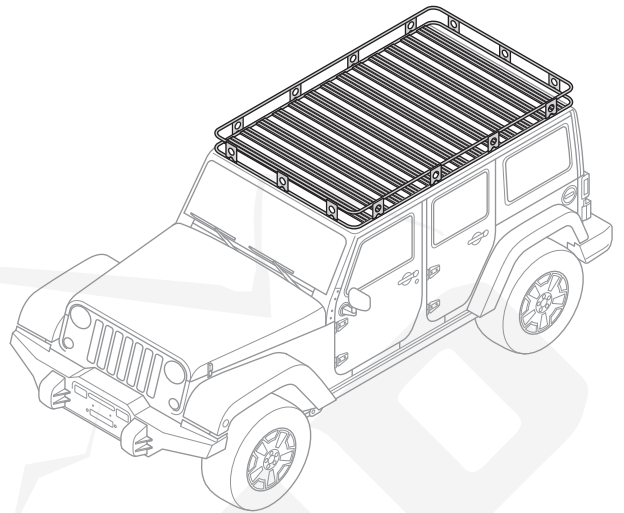
Mounting Awning - Option A

For Rooftop Basket or Cage

1. With assistance hold the awning up to your basket/cage lining up the previously installed bolts to a flat surface on your basket (1a).

Note: It is recommended to have the bolts as far apart as possible.

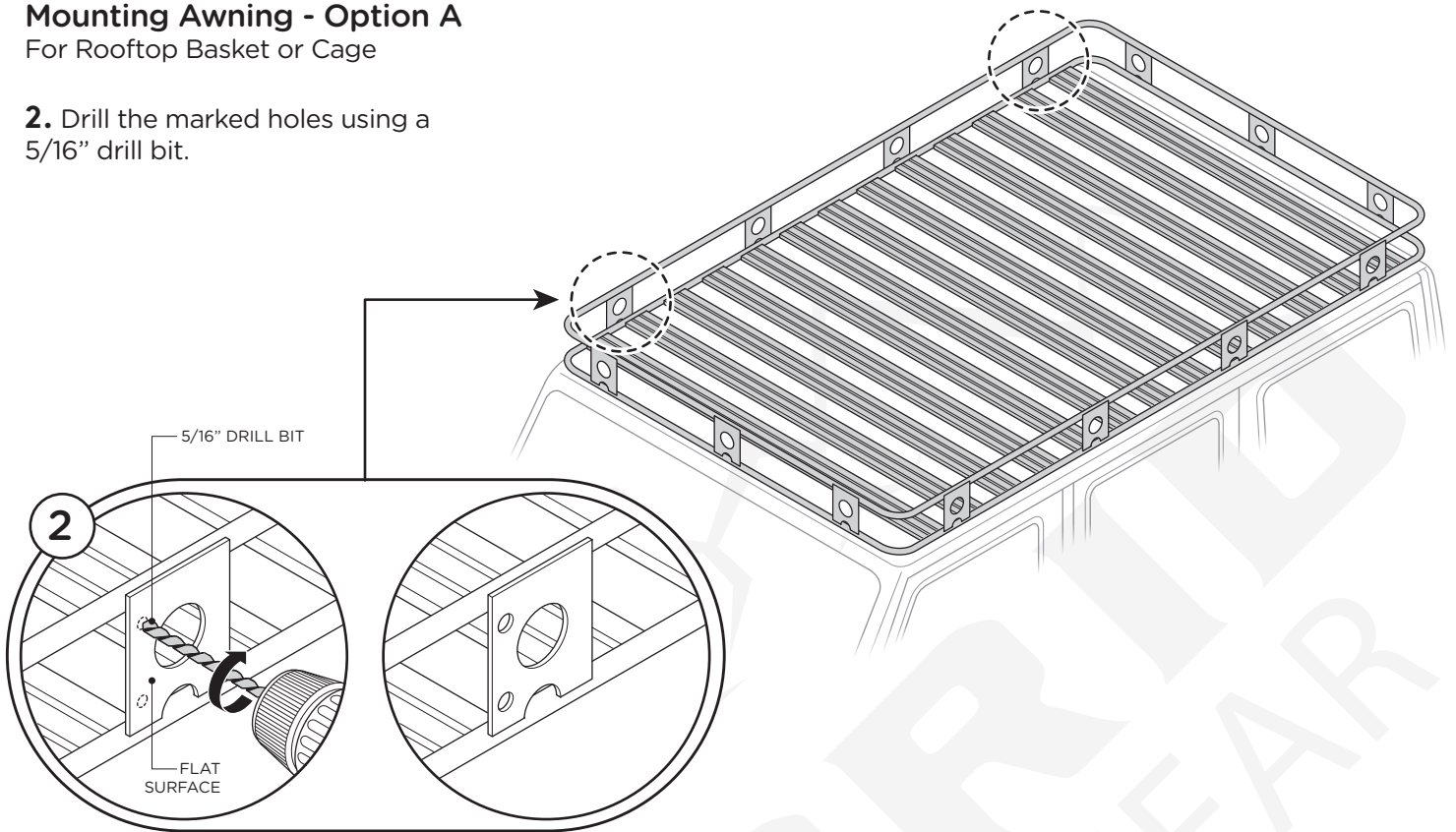
Place two (2) marks onto the flat surface where the bolts will be installed (1b). Set awning to the side for now.



Mounting Awning - Option A

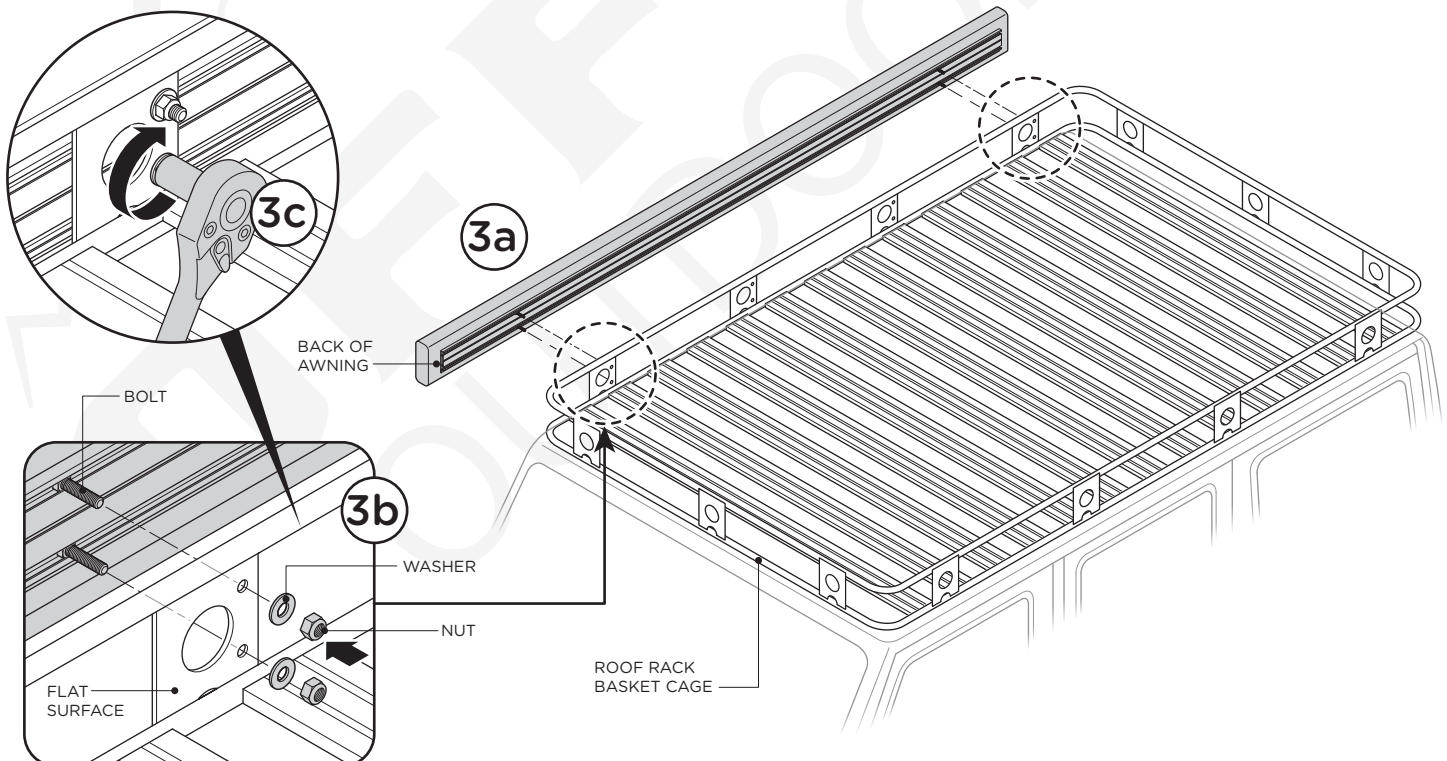
For Rooftop Basket or Cage

2. Drill the marked holes using a 5/16" drill bit.



3. With assistance, hold awning up to basket/cage and slide the bolts through the previously drilled holes (3a). Secure awning to the flat surface of the basket/cage using two (2) nuts and two (2) washers per flat surface (3b). Make sure awning is level before tightening completely (3c).

Note: You should periodically check hardware to make sure it's tight.



Mounting Awning - Option B

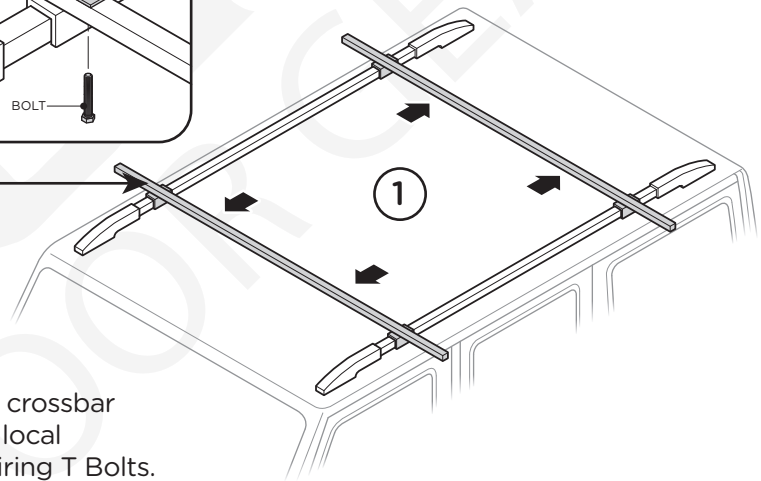
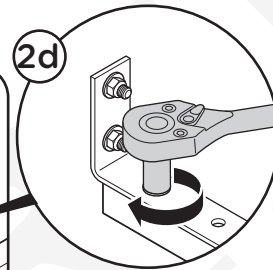
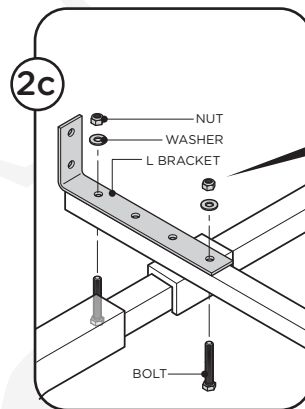
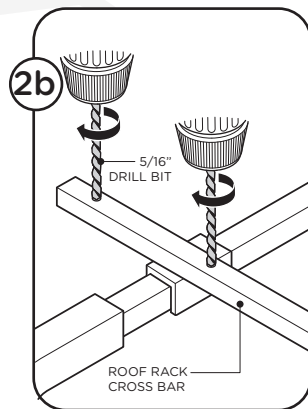
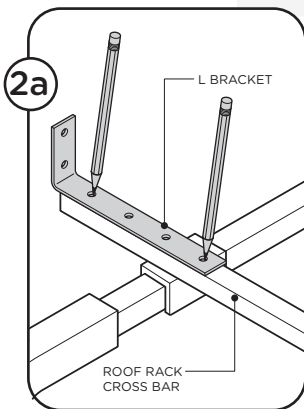
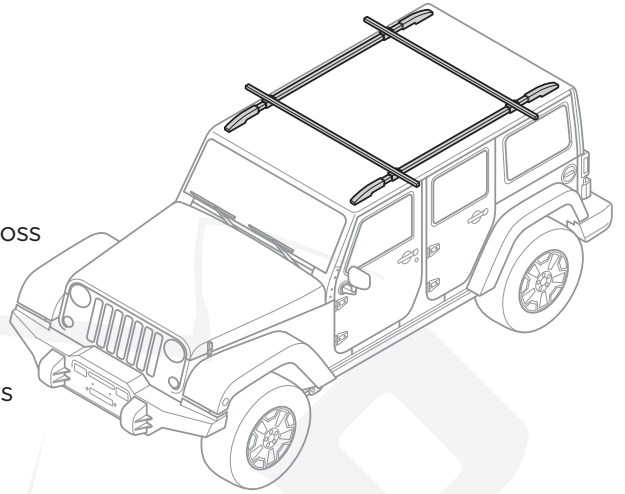
For Rooftop Rack with Cross Bars (without channels)

1. Make sure the roof rack parts are spread out enough to provide sufficient stability of awning.

2. Align the long side of the "L" brackets on top of the roof rack cross bars. Make sure they are in a position so that the awning can be accessed easily and does not protrude too far outward when installed.

Using the "L" bracket as a template mark 2 holes on your cross bars (2a). Carefully drill the marked holes using a 5/16" drill bit (2b).

Secure each "L" bracket to roof rack using two (2) bolts, two (2) washers and two (2) nuts per "L" bracket (2c). Tighten fully (2d).

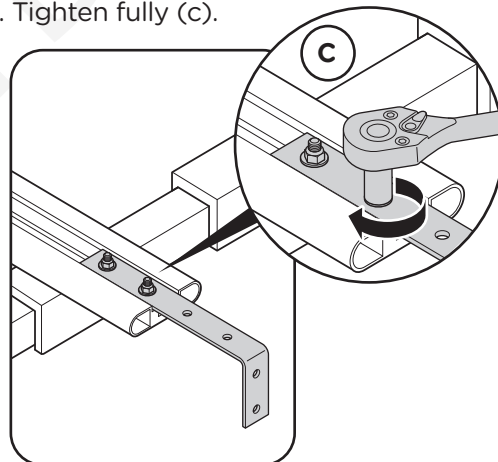
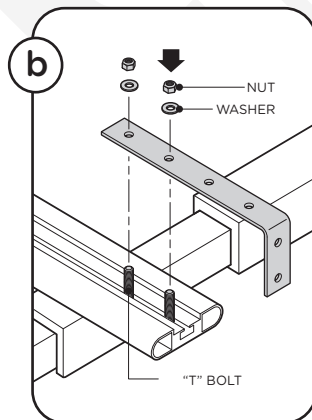
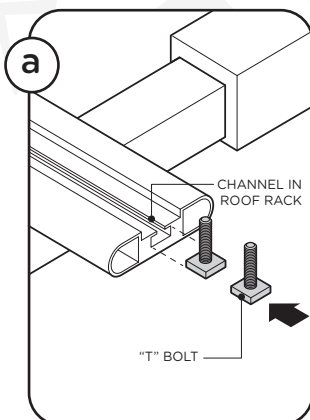


Mounting Awning - Option B

For Rooftop Rack with Cross Bars (with channels)

NOTE: T Bolts are not included due to the varying sizes of crossbar channels. You would need to purchase the T Bolts at your local hardware store to install to a cross bar with channels requiring T Bolts.

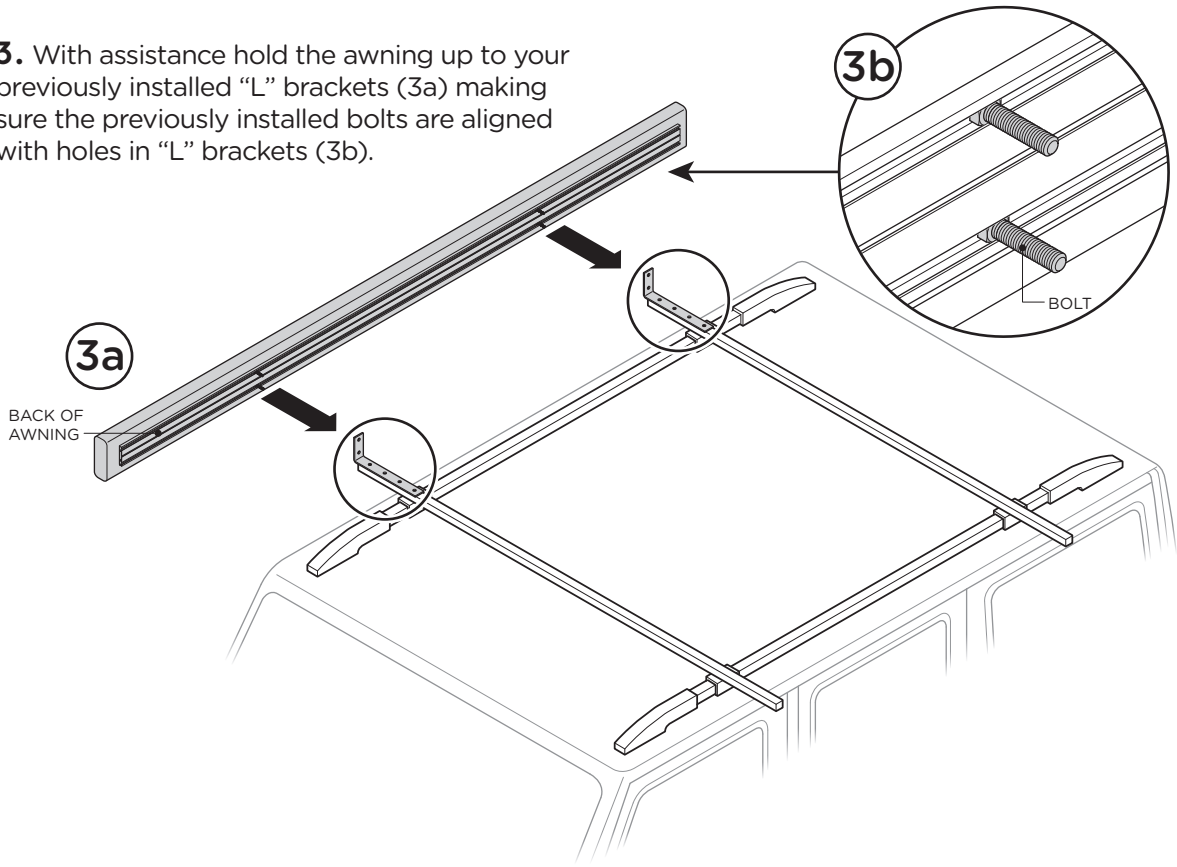
Insert two (2) T Bolts into the channel at each end of the roof rack (a). Secure each "L" bracket onto roof rack using two (2) nuts and two (2) washers per bracket (b). Tighten fully (c).



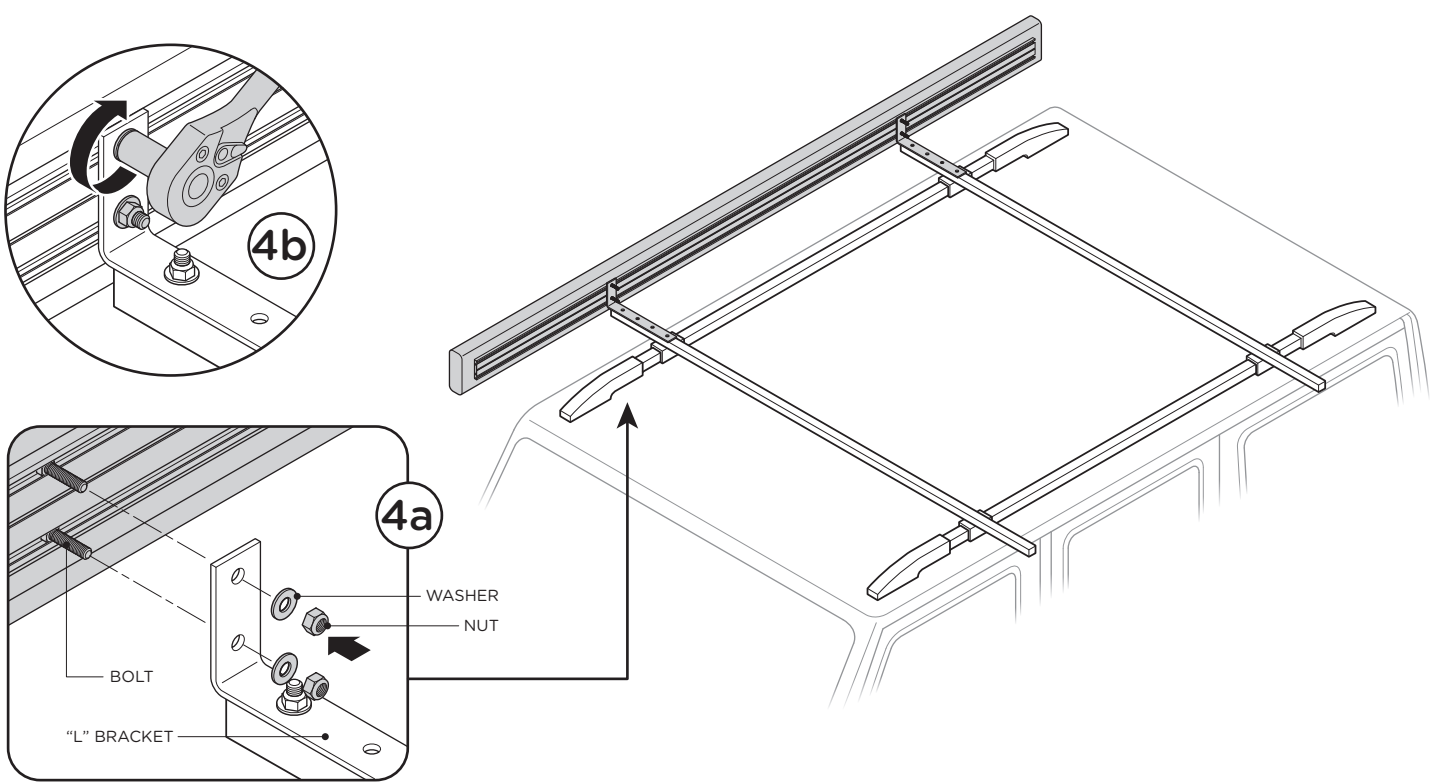
Mounting Awning - Option B

For Rooftop Rack with Cross Bars (with channels)

3. With assistance hold the awning up to your previously installed "L" brackets (3a) making sure the previously installed bolts are aligned with holes in "L" brackets (3b).



4. Secure each "L" bracket with bolts using two (2) washers and two (2) nuts per bracket (4a). Fully tighten (4b).

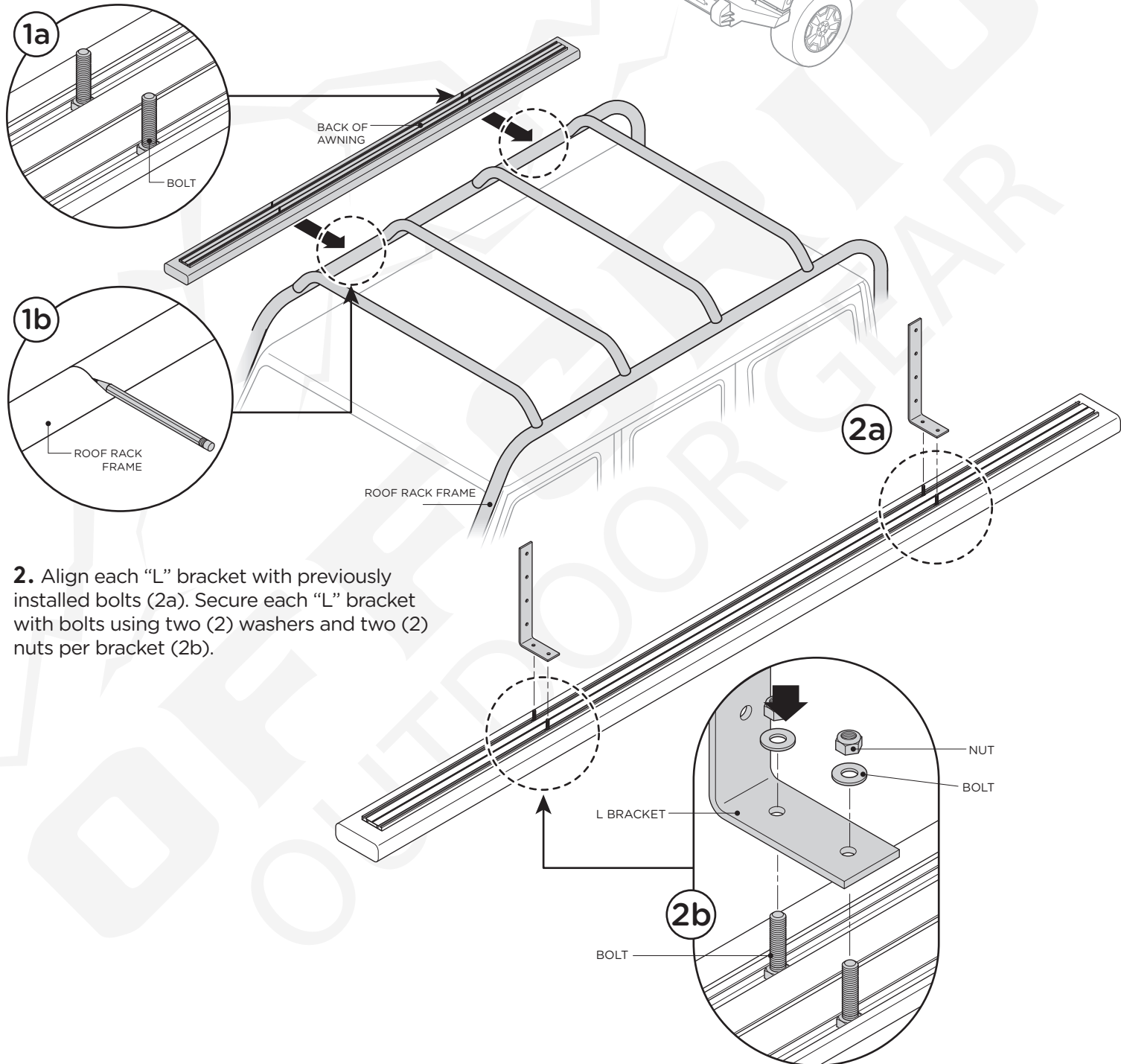


Mounting to a Roof Rack Frame - Option C

Note: It is recommended to have the U bolts as far apart as possible. They can be mounted with the vertical part upward or downward.

1. With assistance, hold the awning up to your roof rack frame. Align each set of bolts to approximate area on the roof rack frame you want to secure them to (1a).

Mark onto roof rack frame where you want to mount the "U" bolts (1b). Set Awning to the side for now.

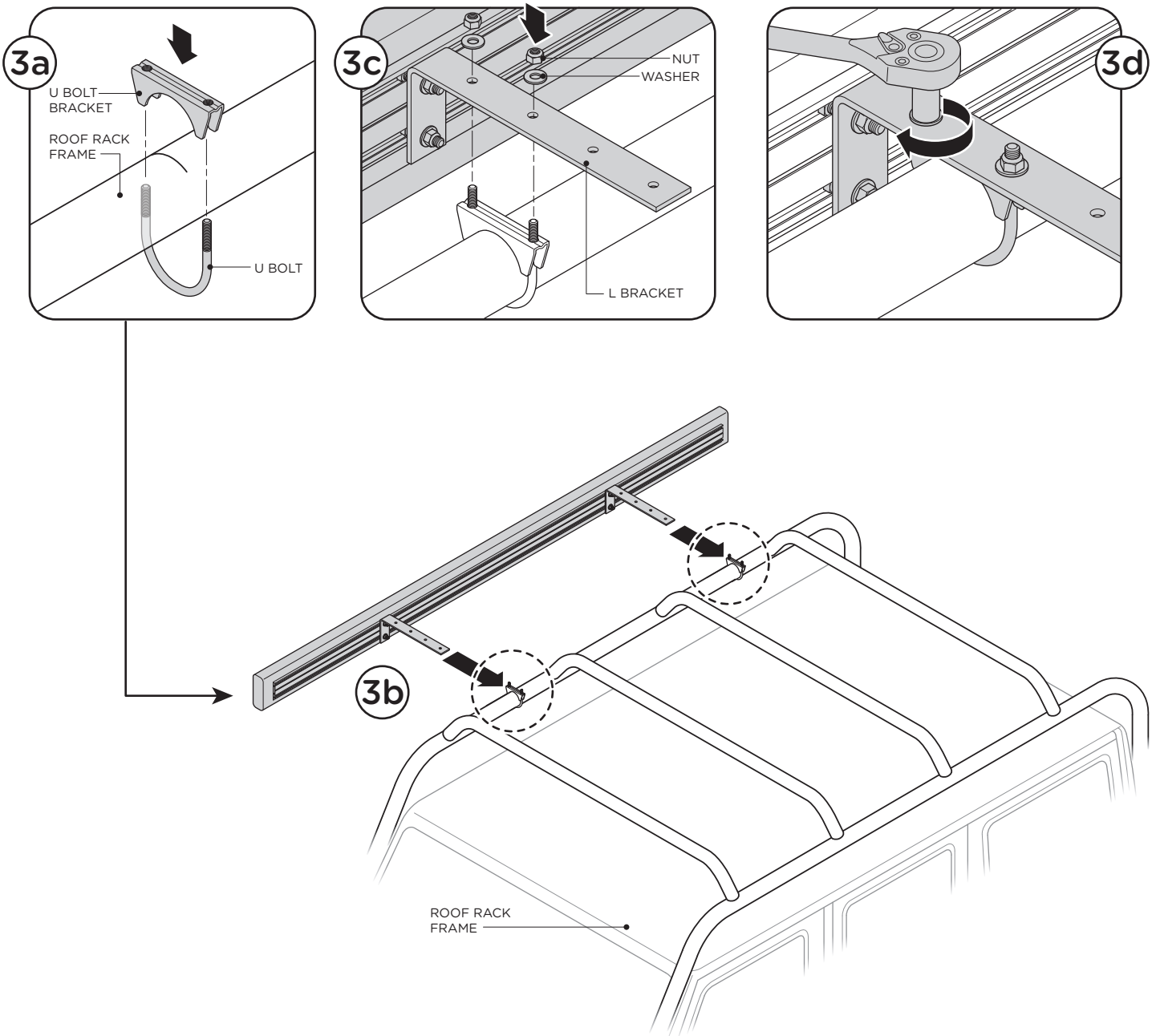


Mounting to a Roof Rack Frame - Option C

3. Align each “U” bolt with the pencil mark you made earlier. Slide threaded ends of “U” bolt through holes in “U” bolt bracket (3a).

With assistance, hold the awning up roof rack frame (3b). Align each “L” bracket with each “U” bolt. Secure each “L” bracket to each “U” bolt using two (2) nuts and two (2) washers (3c). Tighten fully (3d).

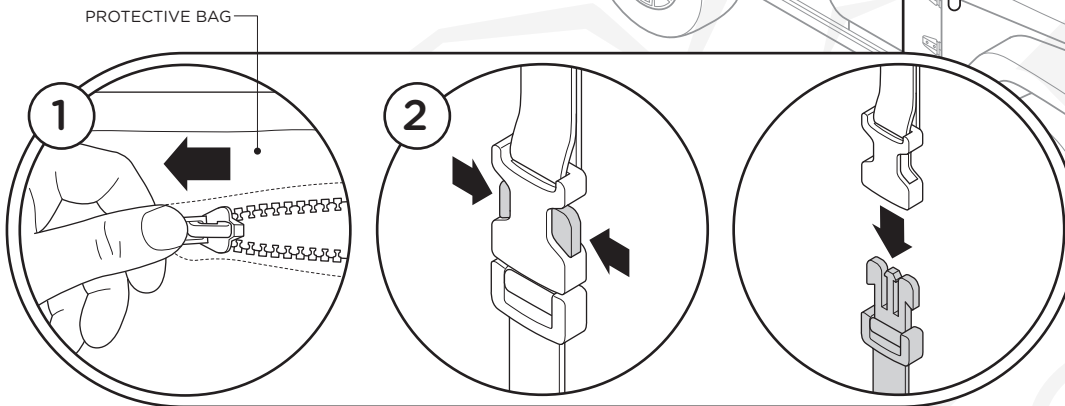
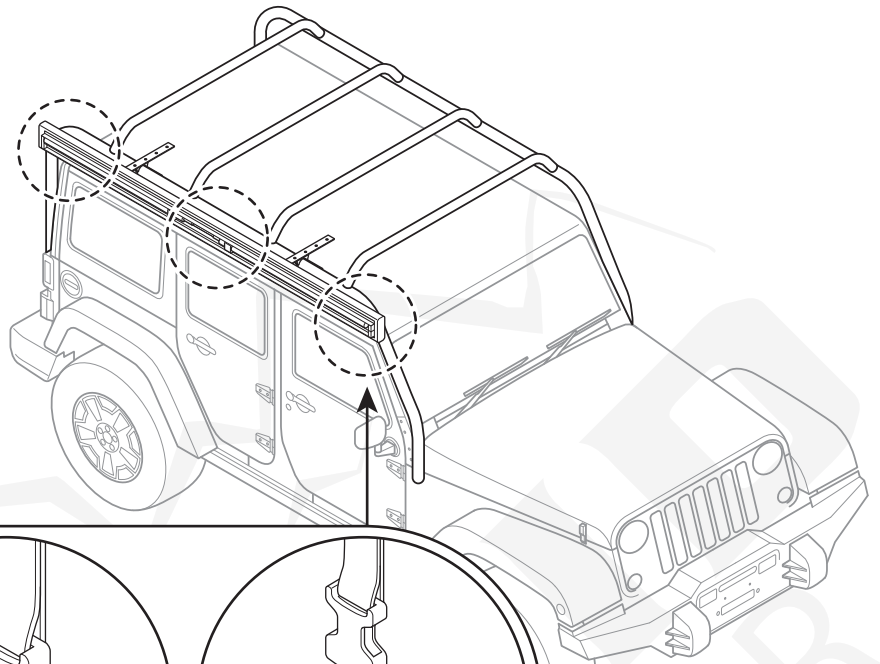
Note: You should periodically check hardware to make sure it's tight.



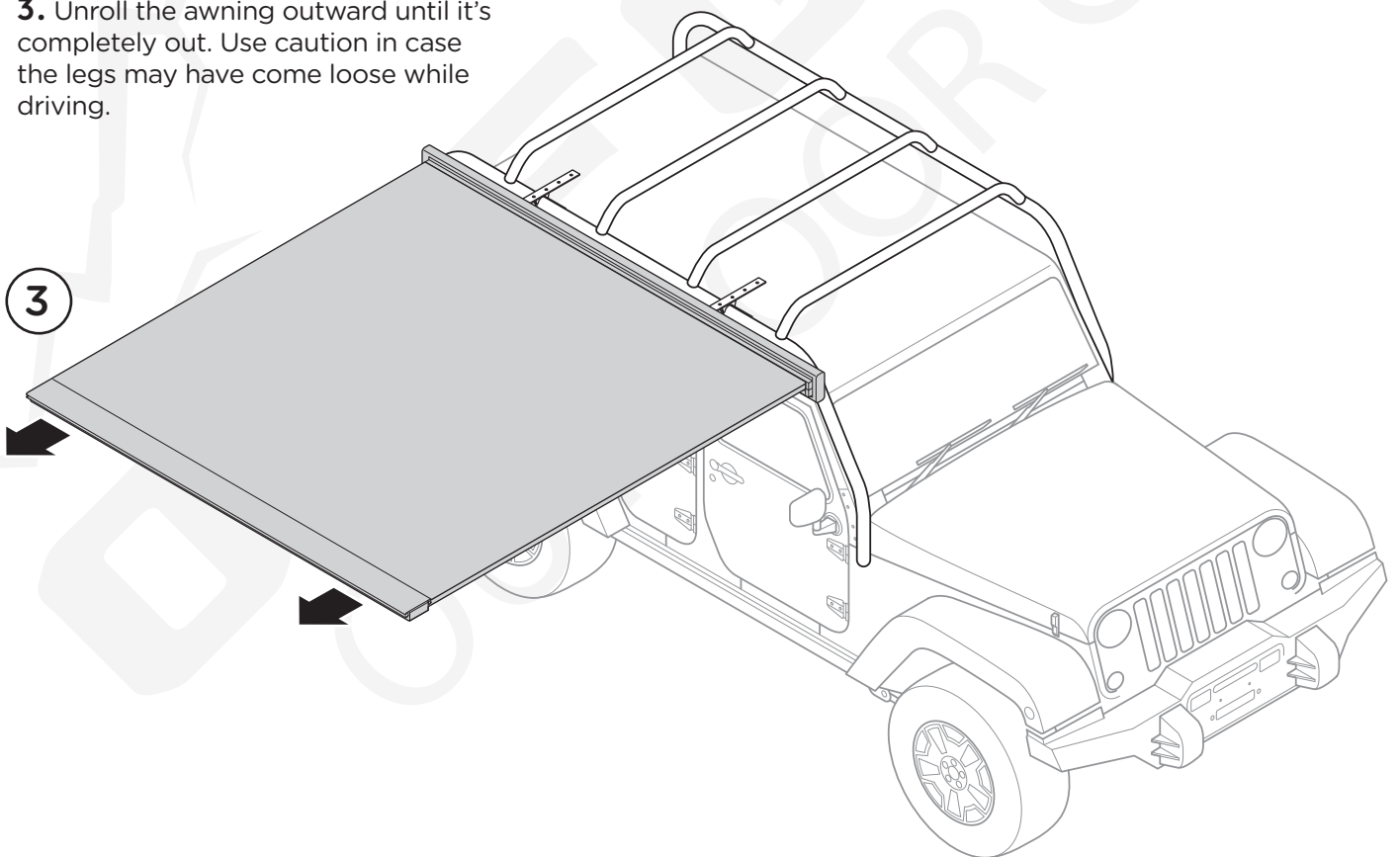
Setting up the Awning

1. Unzip the protective bag. It is recommended to have assistance when doing this.

2. Hold the awning and release the two straps.

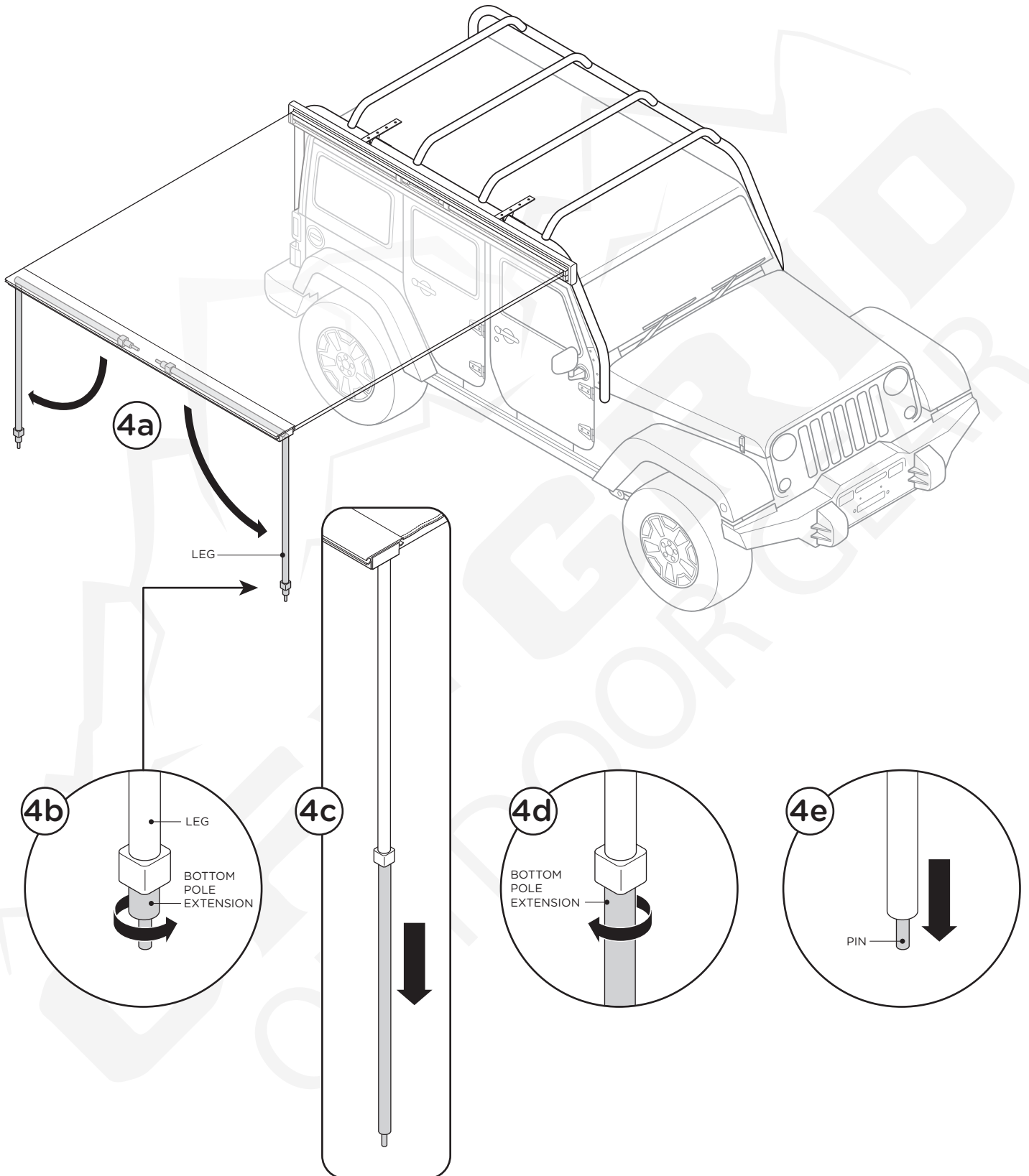


3. Unroll the awning outward until it's completely out. Use caution in case the legs may have come loose while driving.



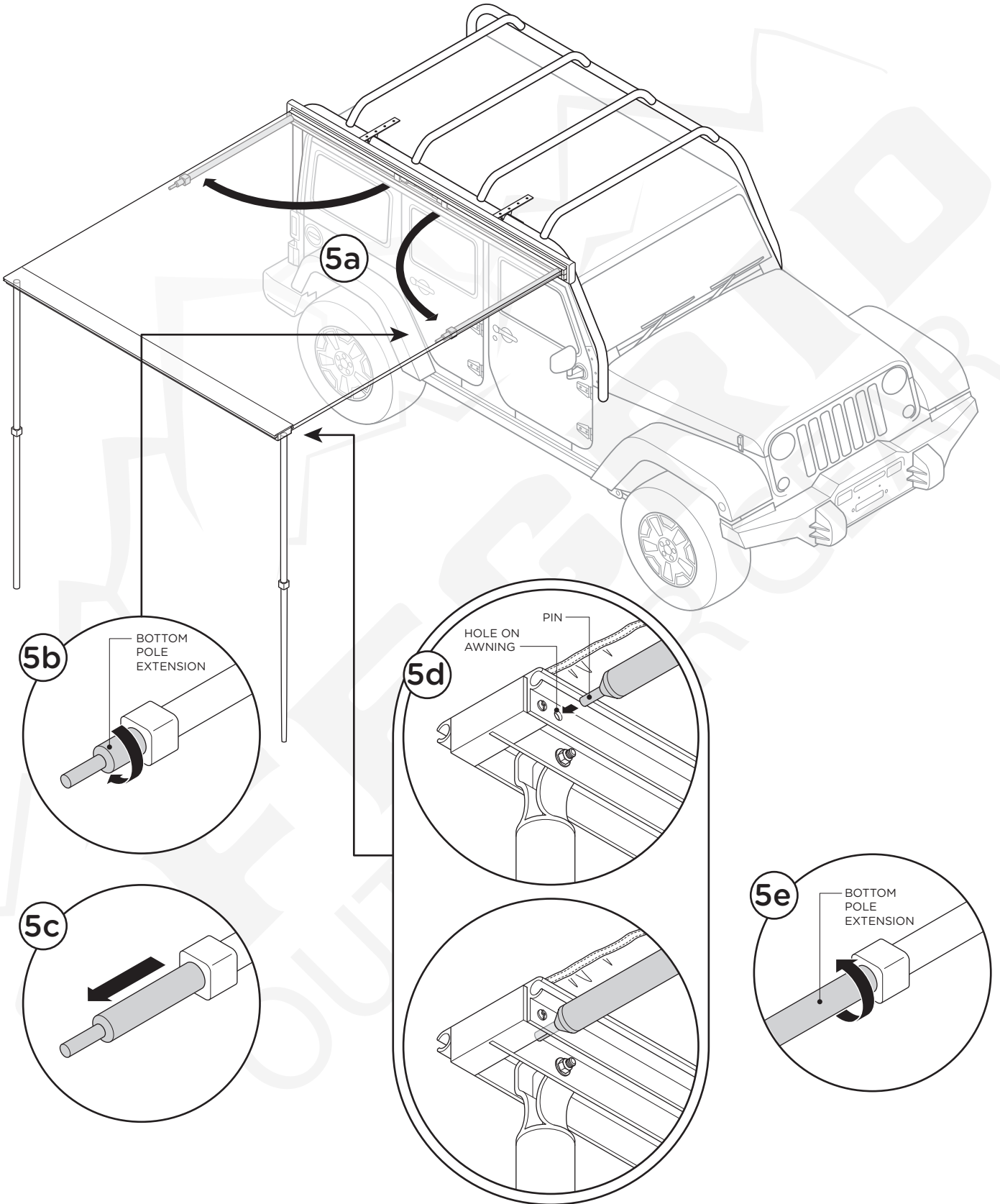
Setting up the Awning

4. Carefully release the two legs from the inside channel (4a). Twist the bottom pole extension (4b) and slide it out to the desired height (4c). Twist back to tighten (4d). Push pin on bottom of legs into ground (4e).



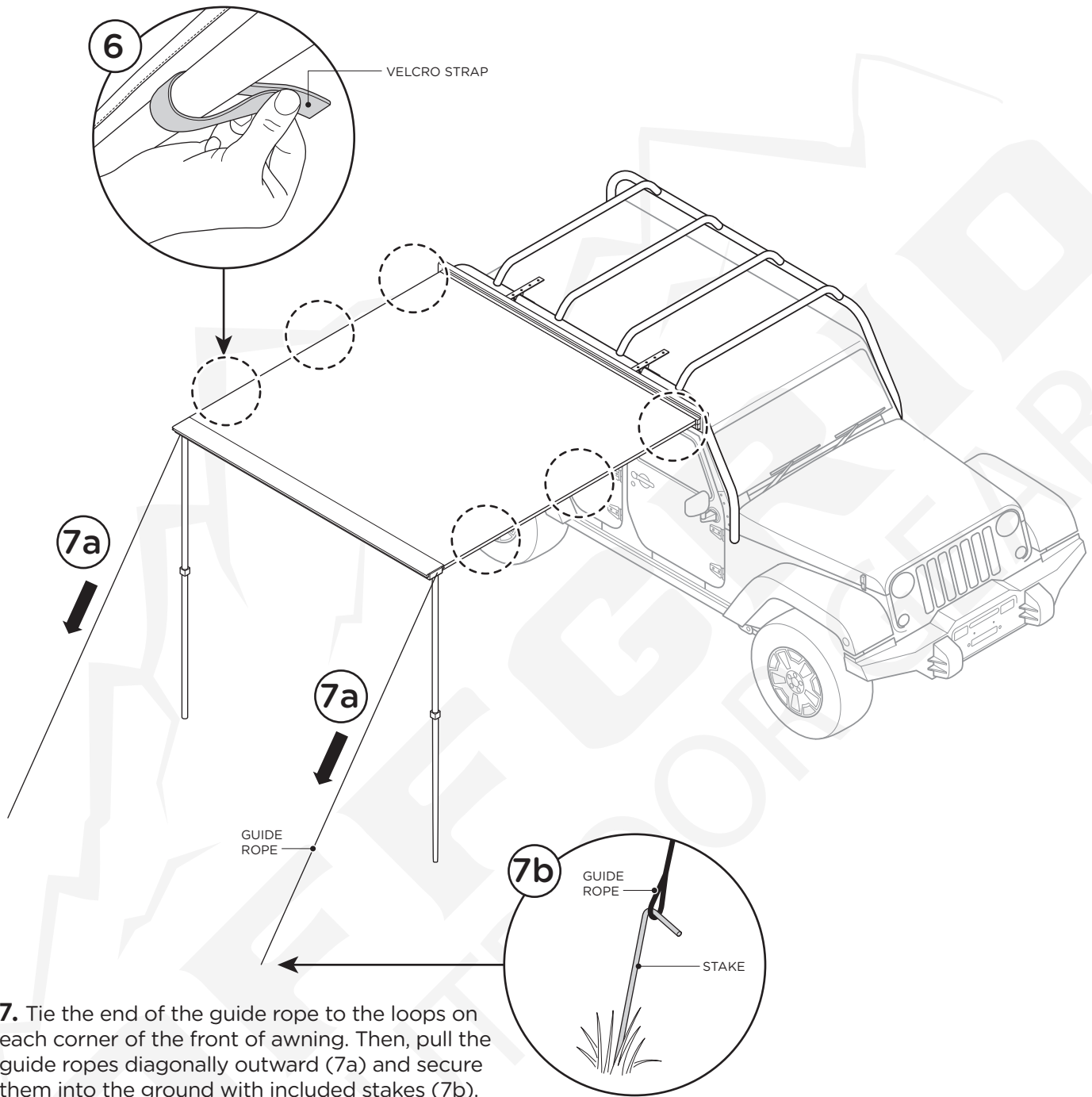
Setting up the Awning

5. Swing the side poles out from the main section of the awning towards the legs (5a). Twist extension (5b) to pull out and slide towards the front of awning (5c). Slide the pin on the end into the hole on the awning (5d) Twist extension to tighten (5e).



Setting up the Awning

6. Fasten Velcro straps along both sides of awning.



7. Tie the end of the guide rope to the loops on each corner of the front of awning. Then, pull the guide ropes diagonally outward (7a) and secure them into the ground with included stakes (7b).

Set up of your new awning is now complete.

Note: To put away awning, follow setup steps in reverse. Always use care when setting up and putting away the awning in order to prevent any damage to the awning or your vehicle.