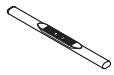


# 4" OVAL BAR

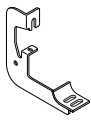


## Components:

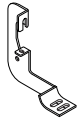


Driver Side Step Bar  
Qty 1

Passenger Side Step Bar  
Qty 1



Front Bracket  
Driver & Passenger  
Qty 2



Rear Bracket  
Driver & Passenger  
Qty 2



Rubber  
Gaskets  
Qty 4

## Hardware:



M8 x 30 mm  
Hex Head Bolts  
Qty 8



M8 Flat  
Washers  
Qty 12



M8 Lock  
Washers  
Qty 12



U-Nut Clip  
Qty 4



M8 Hex Head  
Nut  
Qty 4



M10 x 30MM Button  
Head Bolt  
Qty 8



M10 Flat  
Washers  
Qty 8

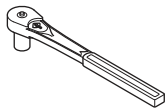


M10 Lock  
Washers  
Qty 8

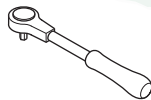


Nylon  
Washer  
Qty 8

## Tools Required:



RATCHET



TORQUE  
WRENCH



14MM SOCKET



6MM HEX BIT

## Torque Specifications:

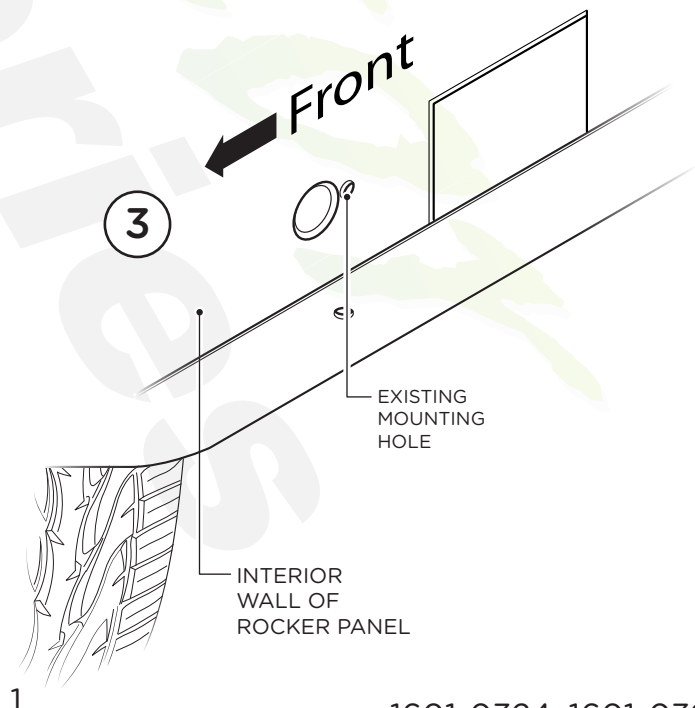
For Rocker Panel Mount Installations  
M8 through M12 bolts and nuts are set to 15-20 ft lbs.

**Note: When installing the brackets and bars, all hardware must be left loose until all the items are attached.**

**1.** Remove all contents from the package and check stainless steel tubes for any damage. Also, verify that all components and hardware listed above are included before you begin installation.

**2.** Read installation manual and installation drawing completely. Understand all brackets and bolts before installation.

**3.** Existing mounting holes are located on the interior wall of the rocker panel. These mounting holes will be used per the following instruction.

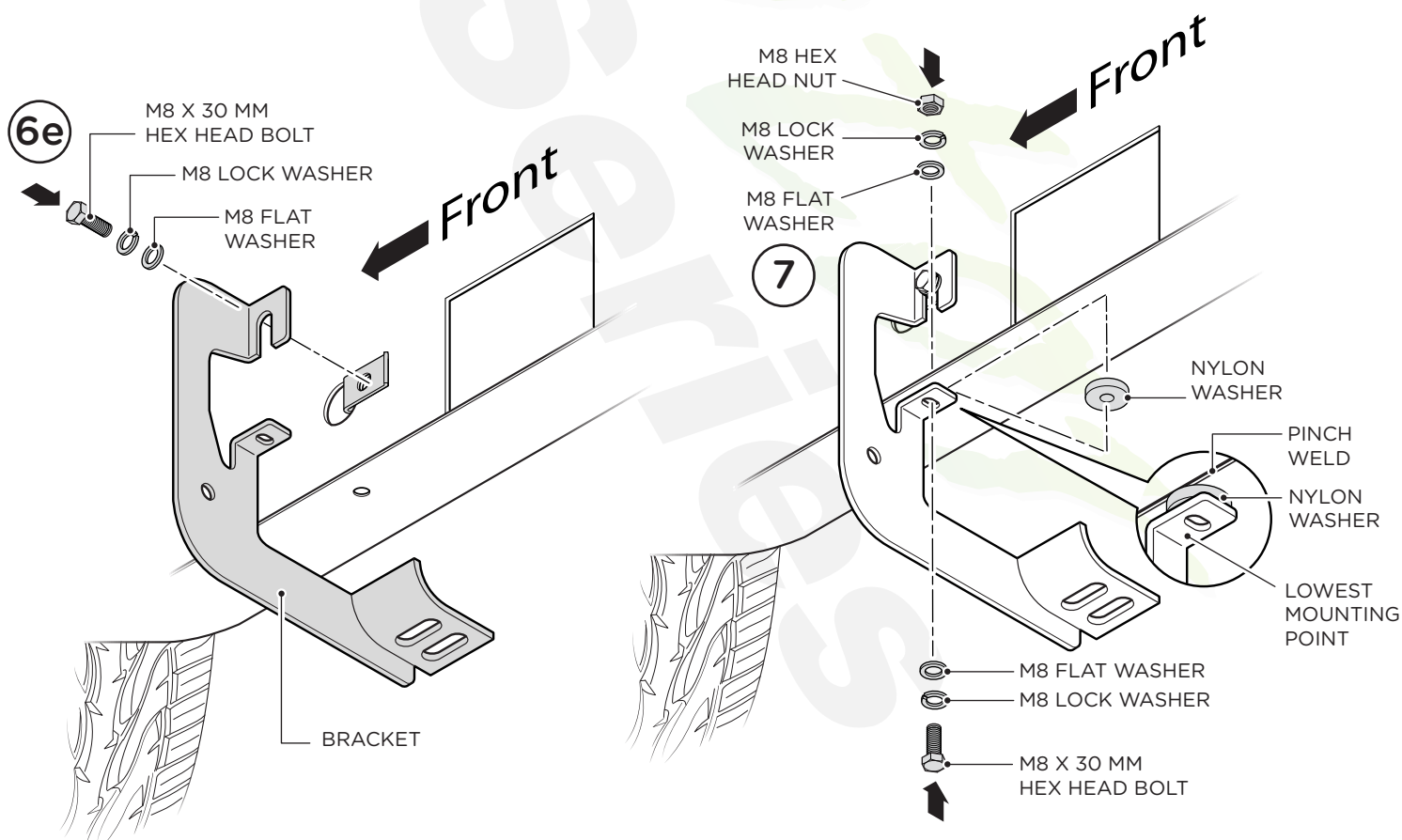
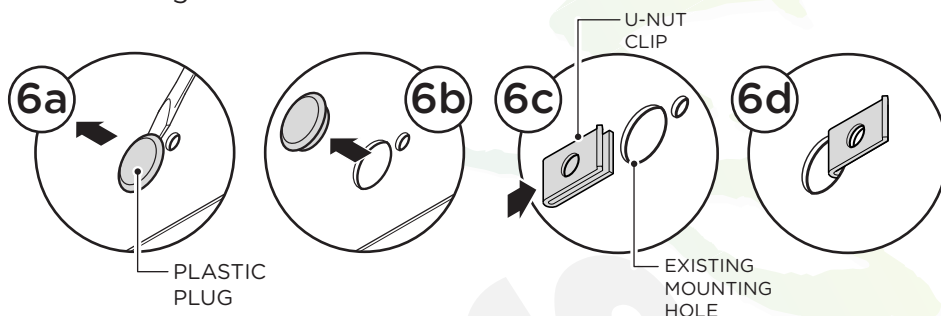
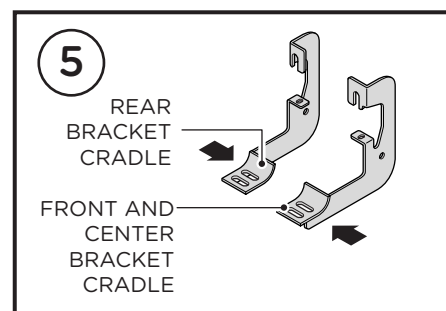
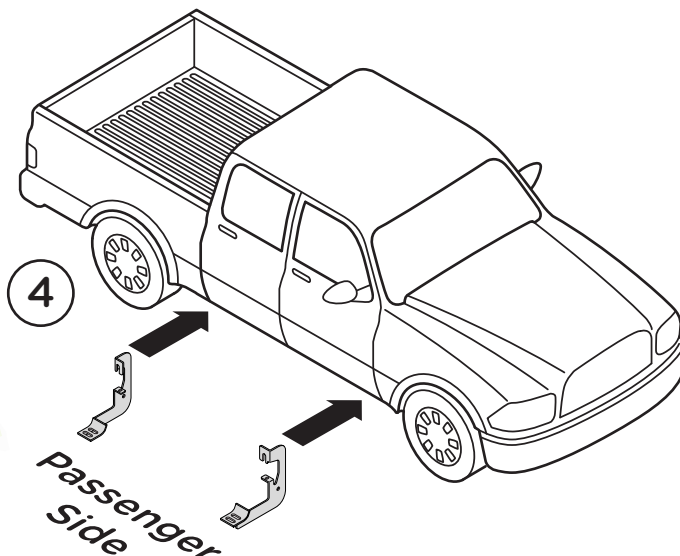


**4.** On passenger side of vehicle, align Front and Rear Brackets as shown.

**5.** Front Bracket Cradle faces to the rear of truck and Rear Bracket Cradle faces to the front of truck.

**6.** If specified holes in the wall of the rocker panel are not threaded, remove plastic plug (6a and 6b) and insert U-Nut Clip so that the threads are facing away from you (6c and 6d). Fasten using one (1) M8 x 30 mm Hex Head Bolt, one (1) M8 Flat Washer and one (1) M8 Lock Washer.

**7.** Complete installation of brackets by placing one (1) Nylon Washer between lower mounting point and pinch weld. Then fasten using one (1) M8 x 30 mm Hex Head Bolt, two (2) M8 Flat Washers, two (2) M8 Lock Washers and one (1) M8 Hex Head Nut. Repeat this procedure for remaining brackets.



**8.** Place **Step Bar** and three (3) **Rubber Gaskets** onto **Brackets**. Each **Step Bar** is marked Driver and Passenger.

**9.** Install **Step Bar** and **Rubber Gasket** onto each **Bracket** and attach using two (2) **M10 Button Head Bolts**, two (2) **M10 Lock Washers** and two (2) **M10 Flat Washers** per bracket.

Tighten until the split lock washer is flat against bracket and snug. **DO NOT** over tighten and strip the threaded insert in the tube.

Repeat these steps for driver side installation. When all hardware is in place, everything must be tightened. See Page 1 for Torque Specifications.

